

EPS Accessories



Mould A Green Life

Supply full set accessories for EPS machinery



INTRODUCTION

Hangzhou Epsole Technologies Co.,Ltd. is a private-owned enterprise located in Hangzhou, China. With over 10 years experience, the company is famed for its profession in R&D , manufacturing and sales of EPS machinery, EPS Accessories, EPS raw materials and EPS moulds, etc.

Epsole has been focusing on the cooperation with customers, supply of technical information, sharing of intelligence and installation of machinery as well as the promotion of automation and working efficiency so as to improve the company's competitiveness and realize mutual benefits. Epsole is sincerely looking forward to cooperate with all customers that have interests in our products and technical services. We are confident to provide high quality services for customers from all over the world.

INNOVATION

ENVIRONMENTAL PROTECTION

EFFICIENT ENERGY-SAVING

CONTENTS ▼

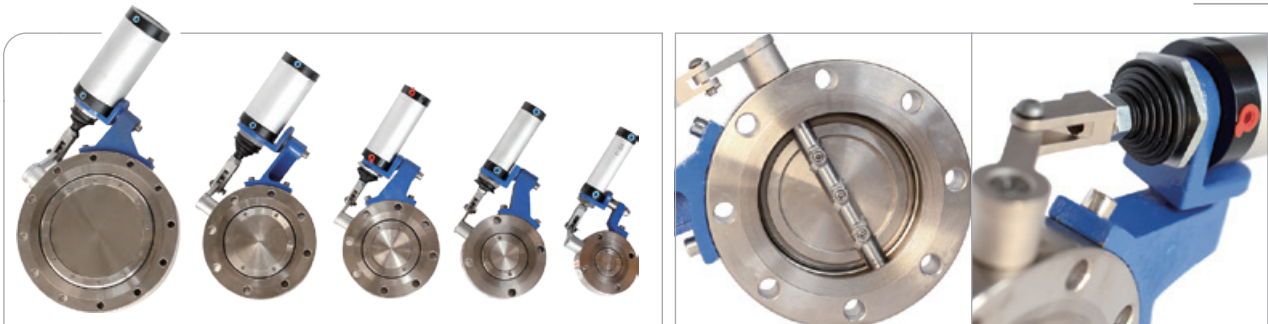
◆ Valves	03-04
◆ Gauges	05
◆ Pipes, Clamps & Connectors	06
◆ Electronics	07-08
◆ Seals	09
◆ Hydraulics	09
◆ Silo System	10
◆ Auxiliary Equipment	11-12
◆ Accessories For EPS Moulds	13
◆ Others	14



VALVES

Angle valve/ Butterfly valve/ Pressure reducing valve/ PID valve/ Safety valve/ Steam trap valve/ Drainage valve

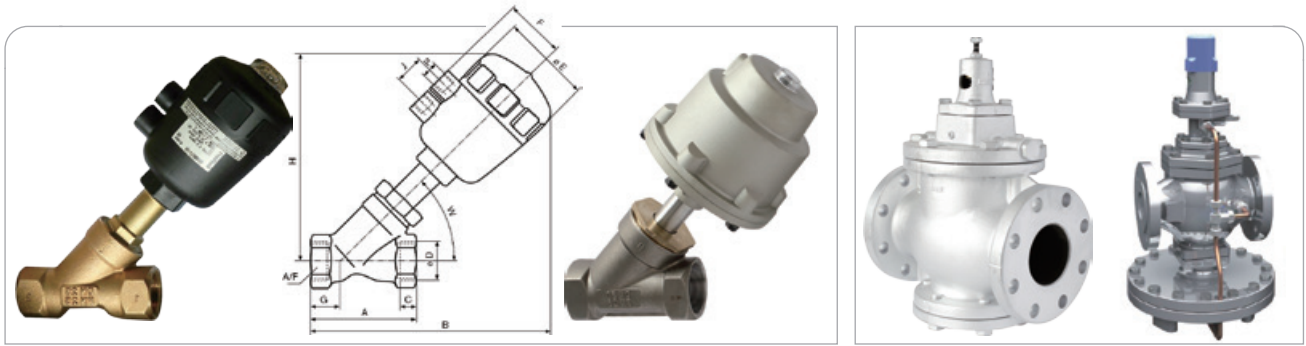
Cylinder Butterfly Valve



▼ Cylinder butterfly valve

	GIQ - 40	GIQ - 50	GIQ - 63	GIQ - 80	GIQ - 100	GIQ - 150	GIQ - 200	GIQ - 250	GIQ - 300	GIQ - 400	GIQ - 500	GIQ - 600	GIQ - 800
Technical													
Nominal Diameter	40	50	63	80	100	150	200	250	300	400	500	600	800
Scope of application	100000 ~ 6.7 x 10												
Leakage percentage	6.7 x 10												
Flow conductance(Pa.L/S)	50	120	156	300	530	1328	2550	4180	7130	11000	17400	27400	45000
medium temperature	BUNA - N (butadiene-acrylonitrile rubber) -25 ~+80 fluororubber -30 ~+150												
Solenoid directional	Power supplier(V/HZ)		220/50										
	Capacity(W)		10										
Power pressure(Mpa)	0.4~0.6												
Flange standard	JB919-75												
Installation position	at any position												
Key part material	Valve body \ valve plate		Carbon steel(Galvanized Nickle) or Stainless steel										
	Seals		BUNA - N (butadiene-acrylonitrile rubber) or fluororubber										

Valves



● Angle valve

● Pressure reducing valve



● Plunger valve

● Pneumatic ball valve

● Air pressure regulator

● Liquid filter

● Filter



● Safety valve

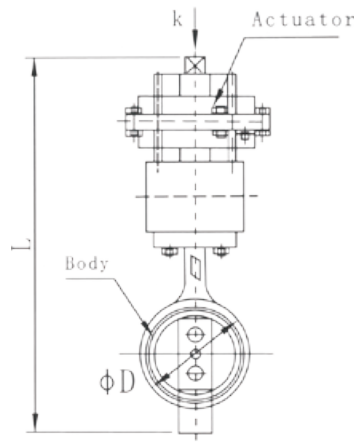
● Vent valve

● Manual valve

● Ball valve

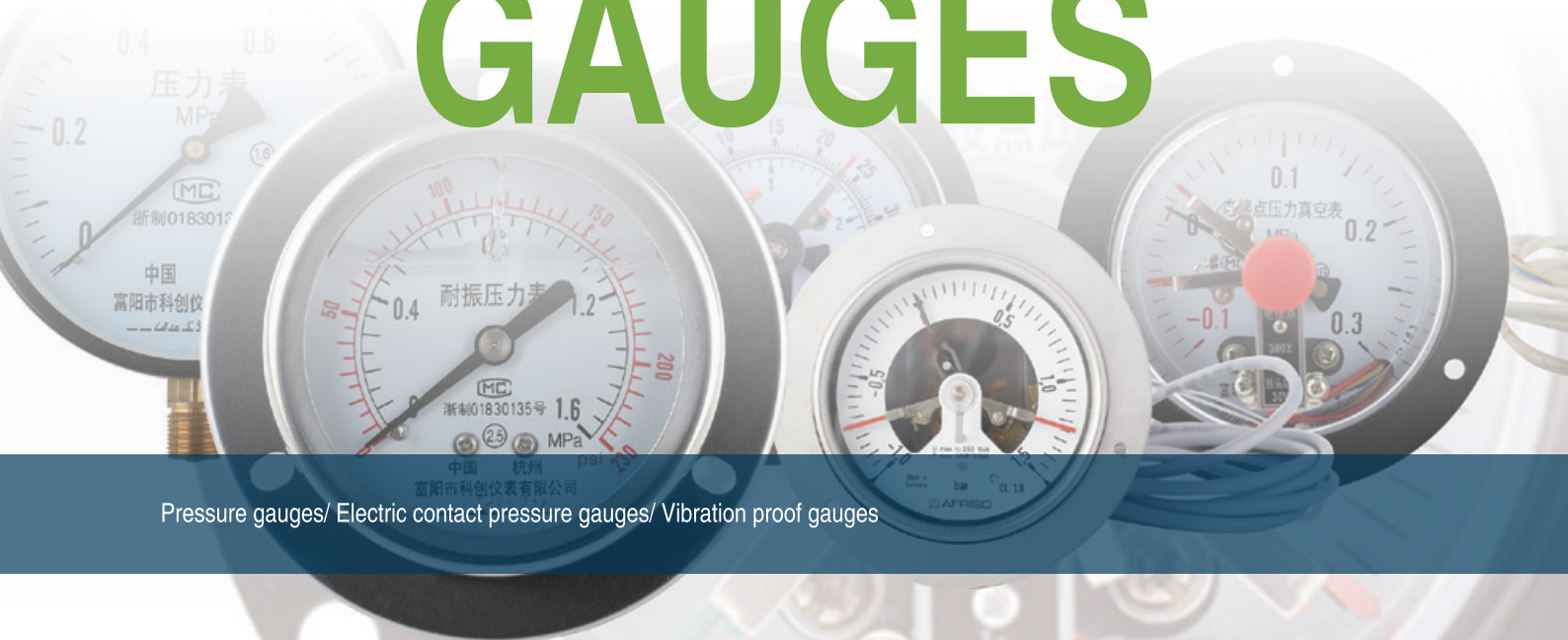
● Steam trap valve

Sector Butterfly Valve

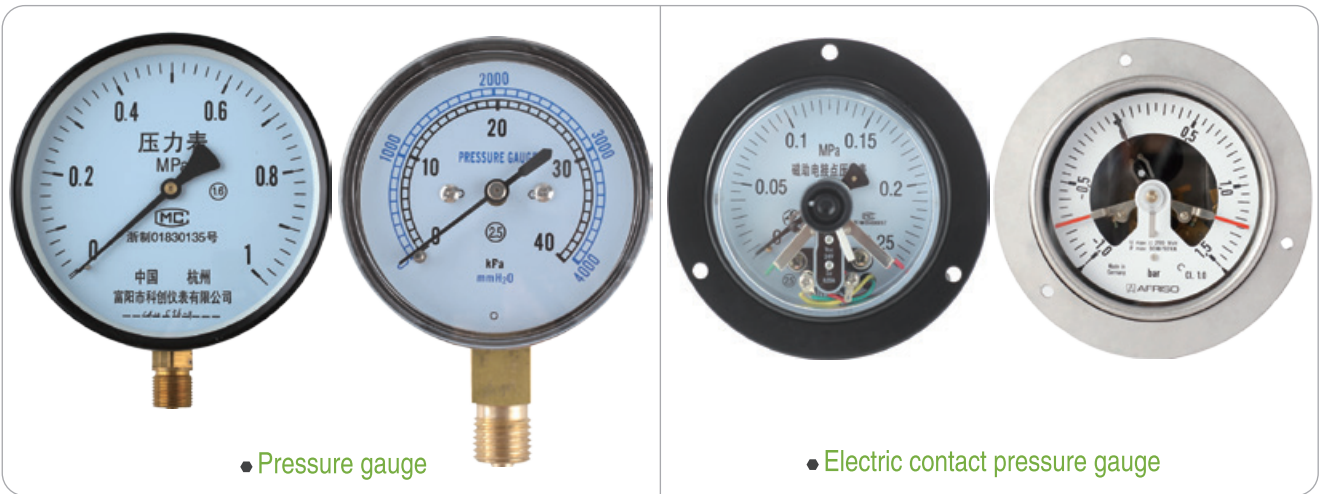


Model	L	φ D	B	B	E1E2
JQD-50	337	φ 95	132	130	G1/4
JQD-65	351	φ 108	132	130	G1/4
JQD-80	363	φ 122	132	130	G1/4
JQD-100	437	φ 145	150	130	G1/4
JQD-150	510	φ 197	220	130	G1/4
JQD-200	615	φ 240	280	200	G1/4

GAUGES

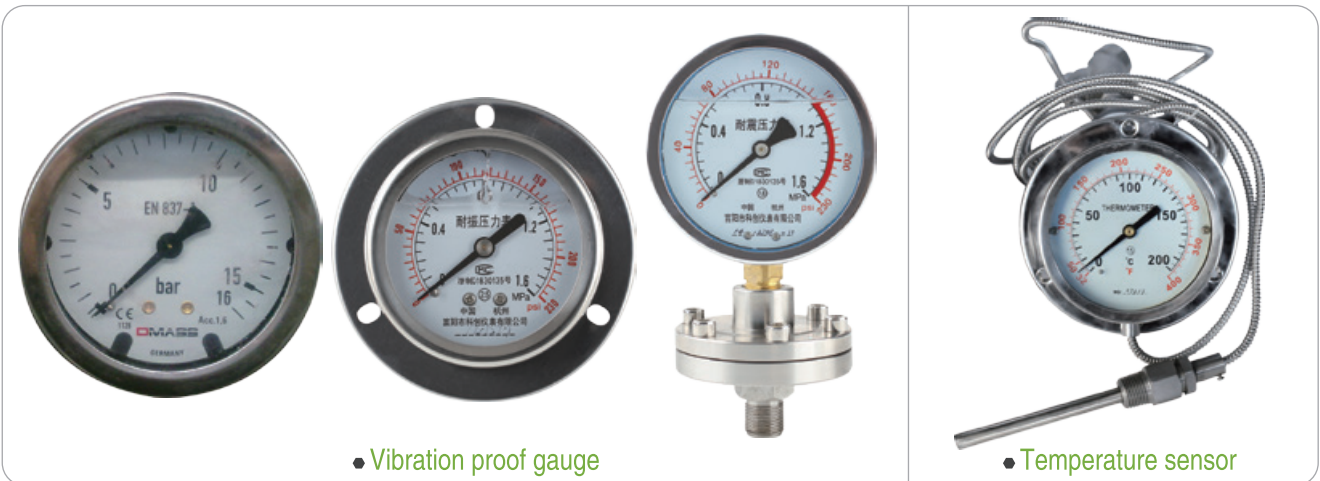


Pressure gauges/ Electric contact pressure gauges/ Vibration proof gauges



● Pressure gauge

● Electric contact pressure gauge



● Vibration proof gauge

● Temperature sensor

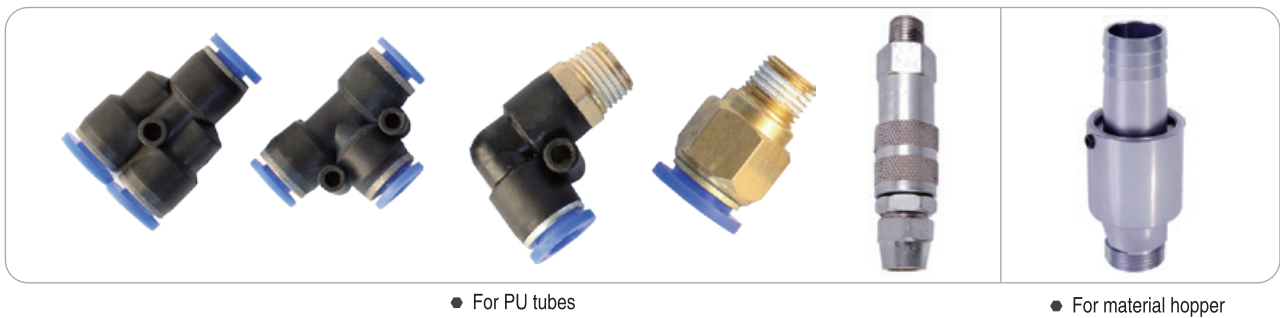
PIPES CLAMPS & CONNECTORS

Plastic pipes/ Copper tubes/ Clamps/ Connectors

Pipes



Fast Connectors



Fast Connectors



Clamps



ELECTRONICS

PLC / Pressure sensor/ Approaching sensor/ Rotary encoder/ Touch screen/ Limit sensor

PLC

● Mitsubishi



● Mitsubishi extension block



● Master LG

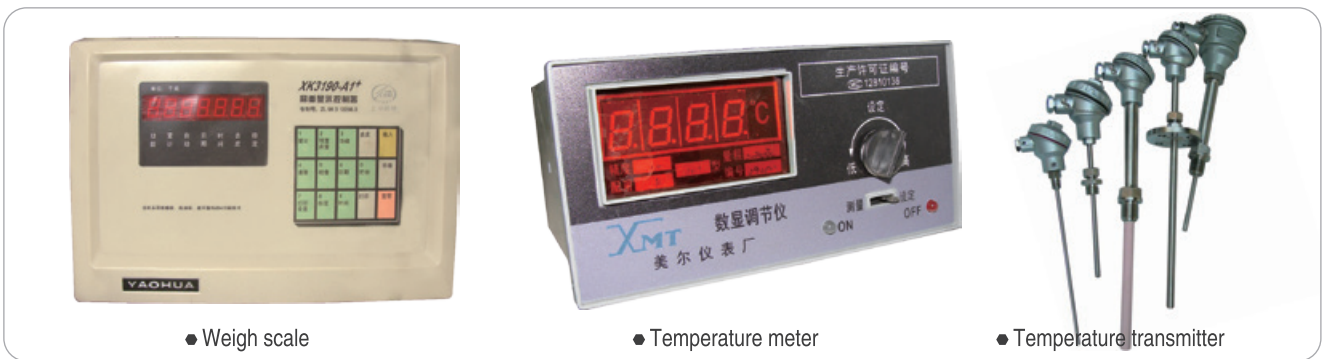


Touch Screen



● Switcher

● AC Contactor



SEALS



● Seal ring for filling guns, valves & hydraulics

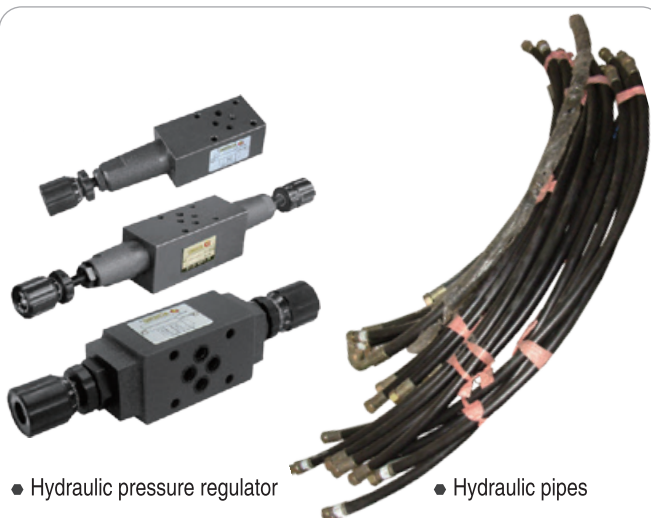


● Silicon rubber

HYDRAULICS



● Hydraulic Station



● Hydraulic pressure regulator

● Hydraulic pipes



● Directional valve



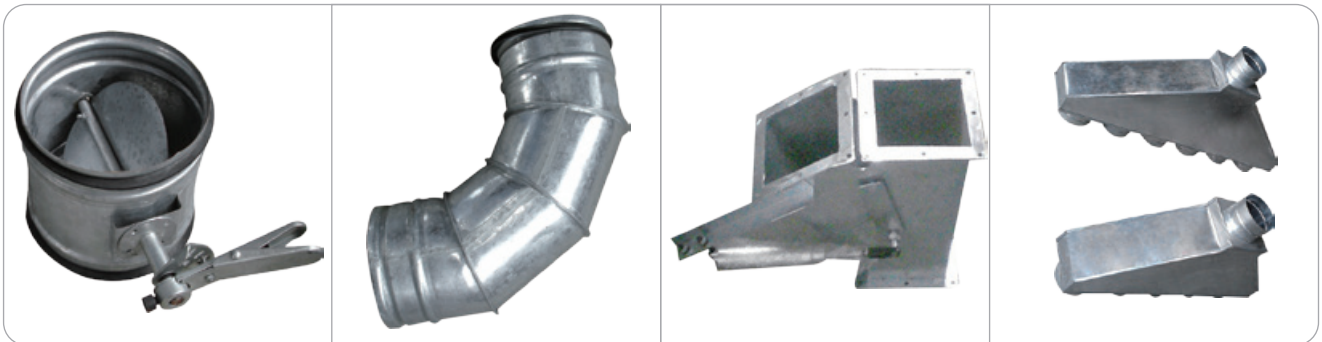
● Hydraulic speeder

● Oil pump valve

SILO SYSTEM

Silo frame/ Iron pipe/ Silo bags/ Manual valve/ Elbow

● Silo bags



● Manual valve

● Elbow

● Cylinder type 3-way connector

● Material distributor



● Silo frame

● Galvanized pipe

● Plastic corrugated pipe

● Square-round adapter

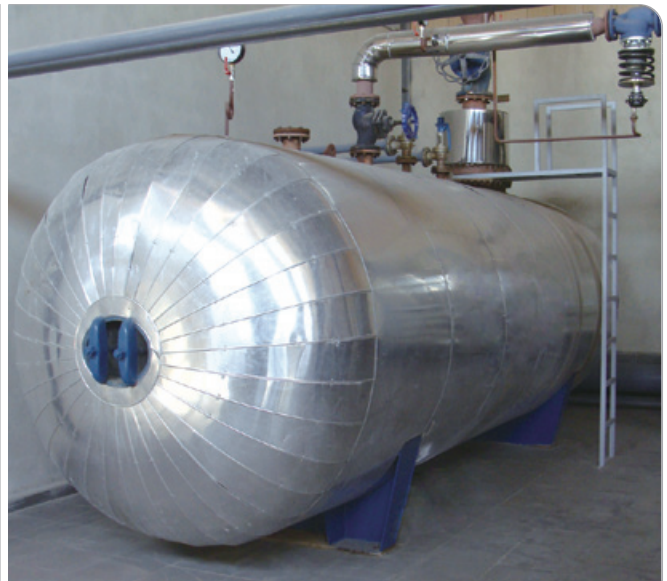


Boiler/ Accumulator/ Air compressor/ Air tank// Cooling tower

AUXILIARY EQUIPMENT



● Steam boiler



● Steam accumulator



● Air compressor



● Compressed air tank



● Cooling tower



● Water pump



● Water pressure stabilizer

ACCESSORIES FOR EPS MOULDS



● Ejector



● Ejector spring



● Ejector holder



● Ejector guider



● Feeder clamp



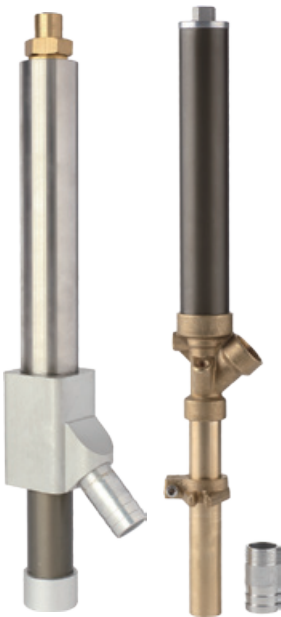
● Feeder clamp



● Pressing plate



● Pressing plate



● Filling gun



● Filling gun clamp



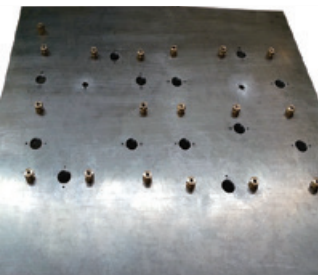
● Ejector guide sleeve



● Water sprayer



● Copper three way



● Aluminium plate



● Steam nozzle

OTHERS



● Cutter wire



● Cutter spring



● Oil filter



● Chain



● Heat exchanger



● Cylinder



● Suction blower



● Tank chain



● Filling gun for block mould machine



● Blower

● Vacuum pump

● Gear motor



Contact information



Alibaba store

Hangzhou Epsole Technologies Co.,Ltd.

ADD: 1007#, Block B1,Xigang Development Center,Xihu Science and Technology Park, Hangzhou, Zhejiang Province, China, P.C.310014

TEL:+86-571-81110023 FAX:+86-571-81110031

EMAIL:info@epssole.com WEBSITE:www.epssole.com